

Heavy Duty Exercise Pens

Steel square tube frames supplies higher strength and impact resistance performance than standard exercise pens. So, the heavy duty exercise pens can be used for containing larger pets.

Heavy duty exercise pens can not only supply spacious space for pets exercising and playing. They can protect pets from dangerous places and prevent pets from breaking some things, like flowers. Collapsible structure is space saving and easy carrying anywhere you need.



ONE UNIT, ONE PACKAGE is ideal for easy selling and transporting for super-markets, pet stores and online stores, including eBay & Amazon. **OEM & ODM SERVICE** can save your cost and get a competitive price in your local markets.

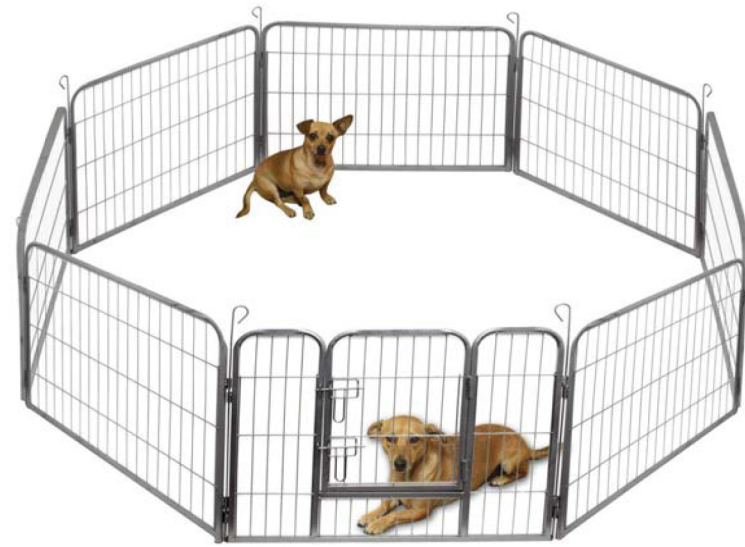
Heavy duty exercise pens have everything you want to own:

- 24", 32" and 40" height options for your different needs.
- Collapsible structure allow for carrying anywhere.
- Smooth and non-toxic coating for pets' safety.
- Pins and connection clips ensure the sturdy and durable of exercise pens.
- Square latch keeps pets securely in the pens.
- Ground anchors firmly fastened the exercise pens onto ground. It is specially suitable for soft ground or grassland.



Product Specifications

- **Material:** black or hammerstone powder coating steel wire.
- **Wire diameter:** 3.0 mm.
- **Tube diameter:** 12 × 12 mm or 15 × 15 mm.
- **Mesh opening:** 2" × 6".
- **Available height:** 24", 32" and 40".
- **Panel width:** all for 31".
- **Panel quantity:** 6/8.

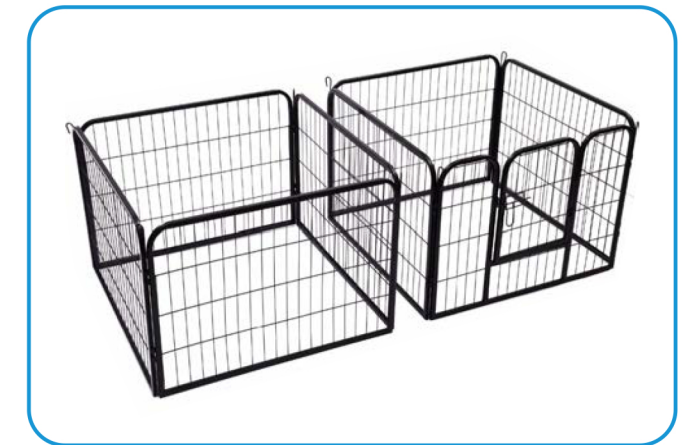
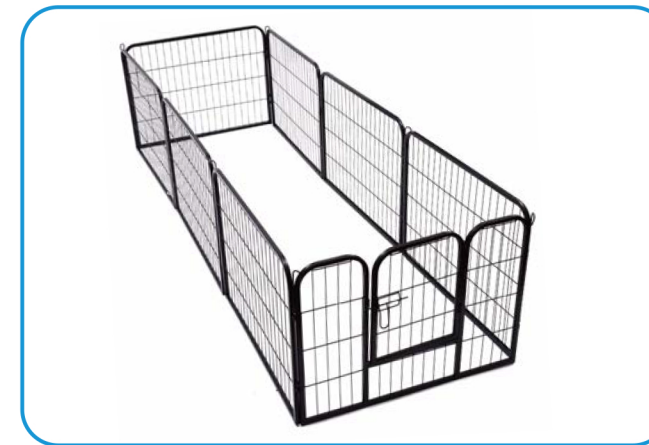
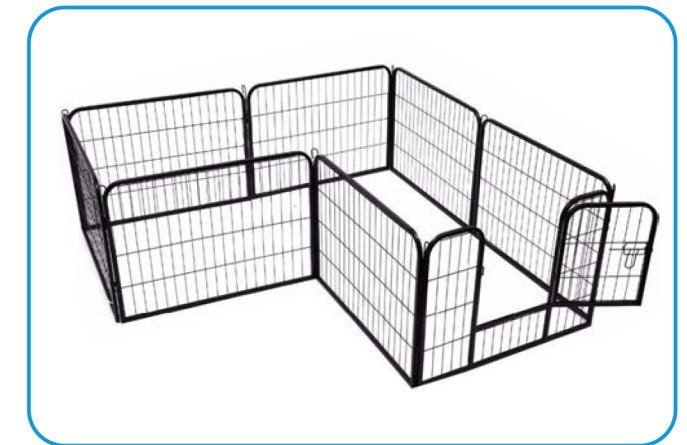
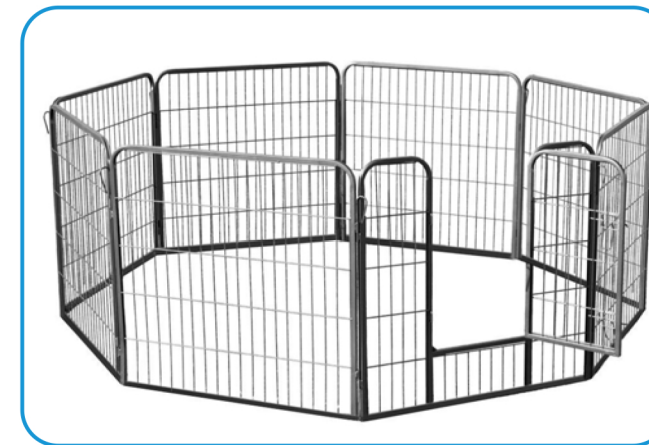


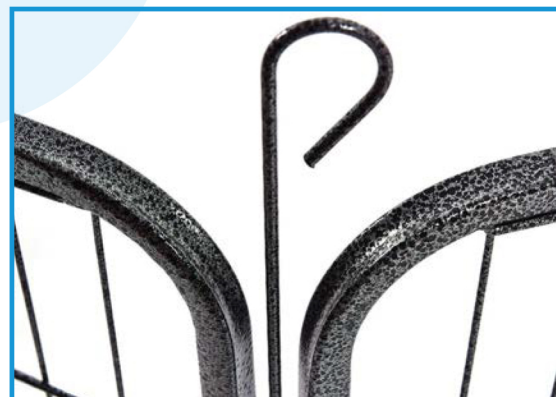
Popular Heavy Duty Exercise Pen Sizes

Item	Playpen Size	Package
HEPS-01	24" × 30" × 8 PCS	1 PC/CNT
HEPS-02	32" × 30" × 8 PCS	1 PC/CNT
HEPS-03	40" × 30" × 8 PCS	1 PC/CNT

FLEXIBLE STRUCTURES

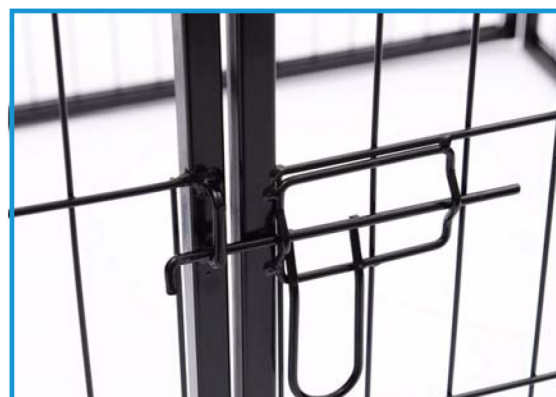
OPTIONAL LOCK TYPE





LONG METAL STAKE FASTENING

Firmly fasten heavy duty exercise pens onto soft ground or grassland and prevent falling down



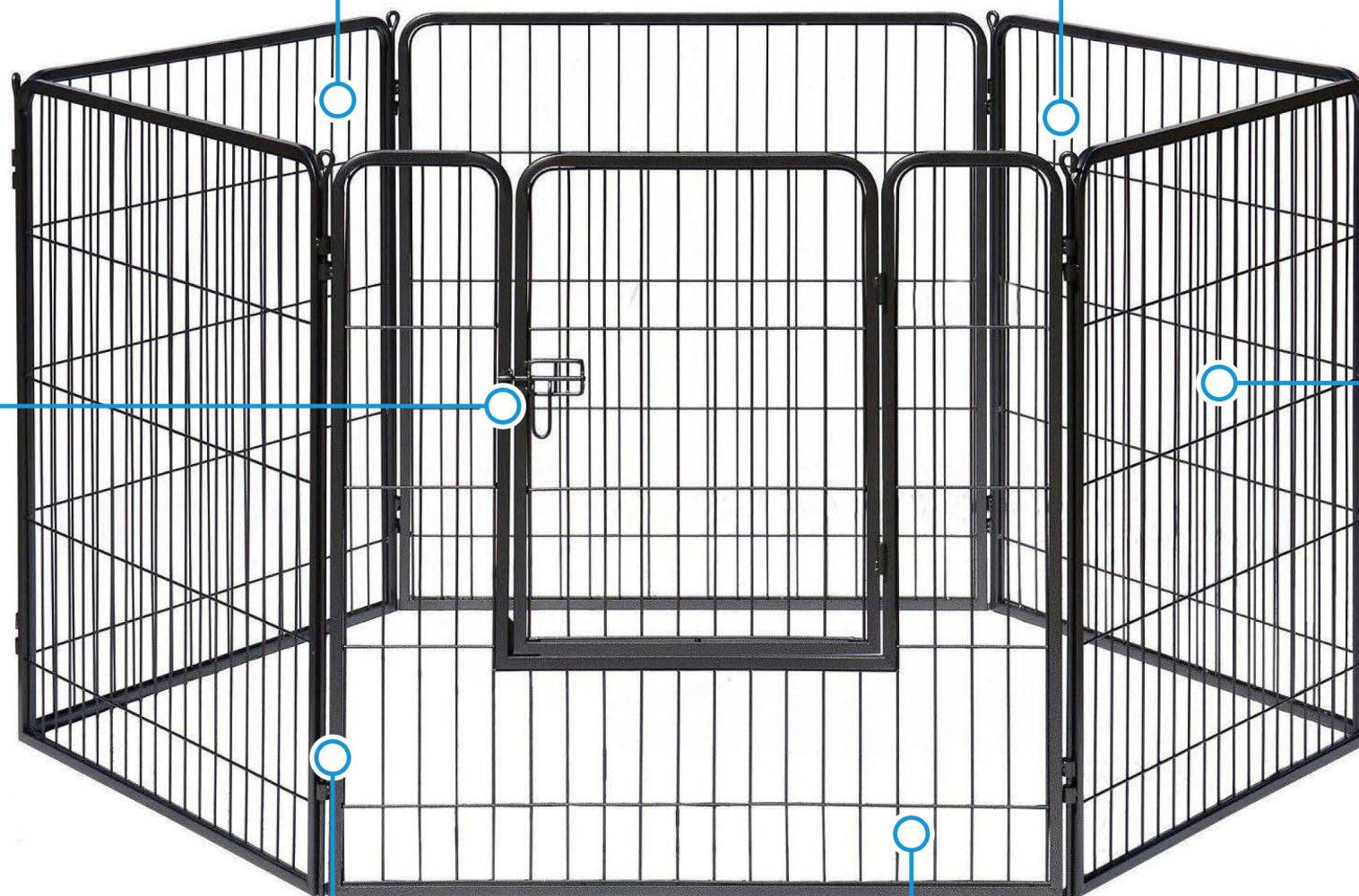
SECURE LOCK DESIGN

Secure pets in the exercise pens and prevent pets loosing



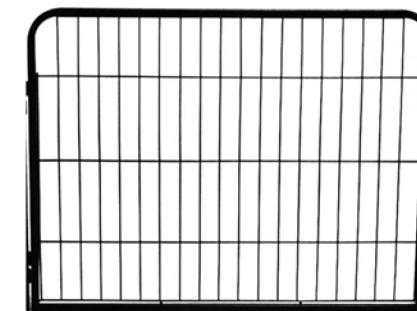
STRONG WELDED STRUCTURE

High strength and durable structure for long term use



SMOOTH & HEALTHY SURFACE

Smooth edges and non-toxic surface aim to keep pets safe and healthy



HEAVY DUTY WELDED MESH

Heavy gauge welded mesh panels can prevent pets chewing and breaking out



COLLAPSIBLE STRUCTURE

Easy operation and space saving for taking them anywhere you need